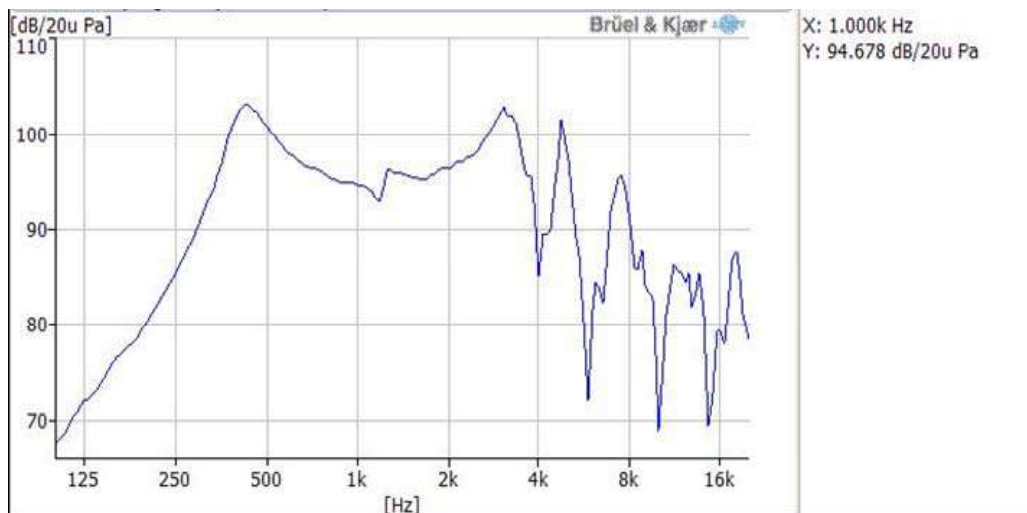


Speaker Specification 受 控

Customer's Model No.		Customer	QUARTZ		
Kepe Model No.	KPSP57130MN-50/0.5G	Size	Φ57mm	No.	J25047
No.	Item	Specification	Test Condition		
1	Impedance	50Ω±15%	at 1.0kHz		
2	Resonant Fr. (f ₀)	400Hz±20%			
3	Frequency Range	F0-5KHz			
4	Rated Power	0.5W			
5	Max Power	1W			
6	S.P.L.	94±3dB	0.1W / 0.1M at 1.0k		
7	Distortion	Max 5%	at rated power 1.0kHz		
8	Sweep Test	must be normal	at sine wave 5V		
9	Load Test	after test meet item 8	rated noise power, 24 Hrs.		
10	Heat Test	after test meet item 8	60±2℃ 5Hrs.		
11	Cold Test	after test meet item 8	-20±2℃ 5Hrs.		
12	Humidity Test	after test meet item 8	40±2℃,90/95%R.H. 5Hrs.		
13	Weight				
14	Polarity Test	When supplied plus D.C. voltage to (+) terminal, the cone must move to forward.			
15	Note				



Ningbo Kepe Electronics Co.,Ltd.

<http://www.chinaacoustic.com>

Specification for Speaker

Page

2/2

Revision No.

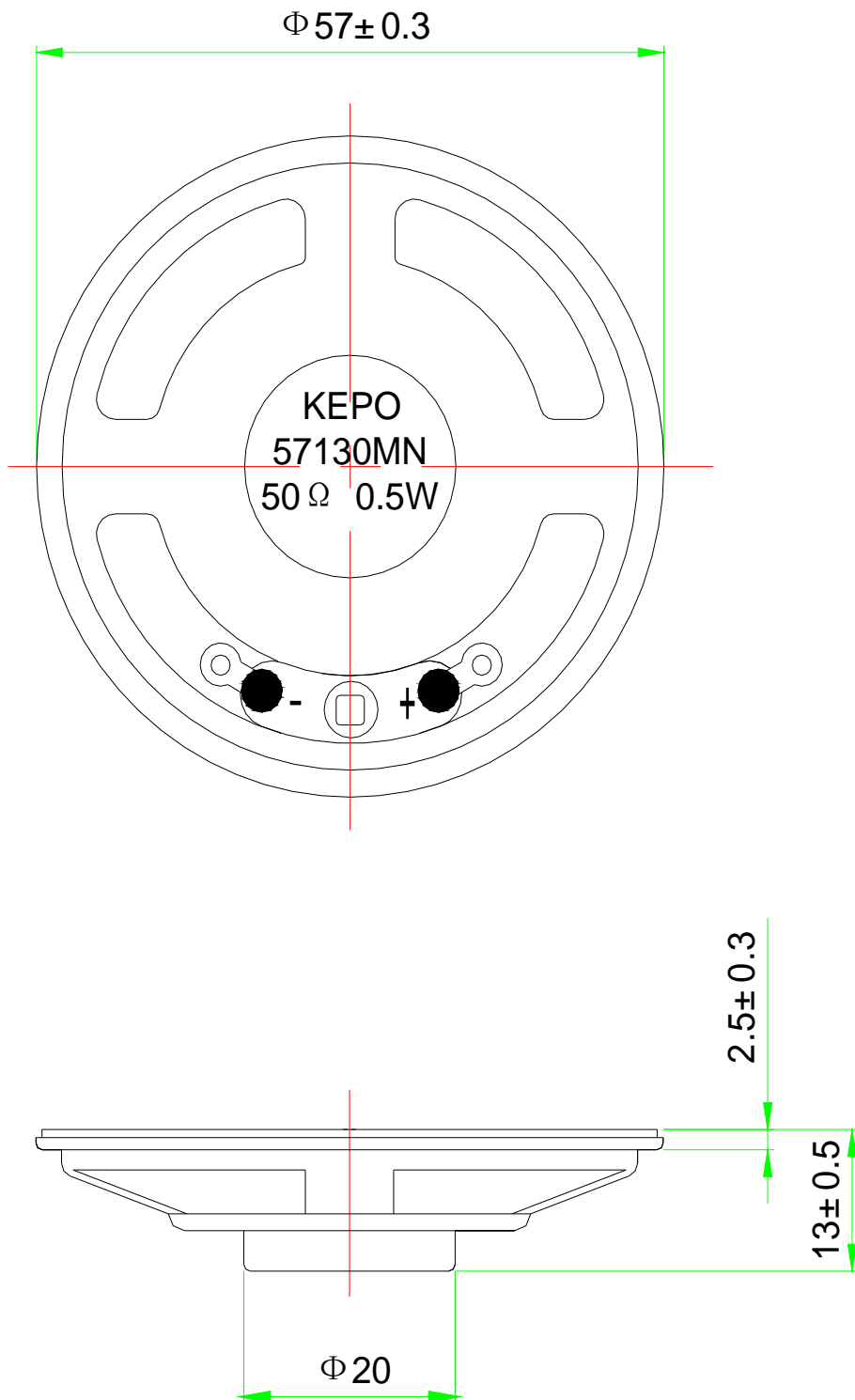
1.0

Model No. :

Drawing No.

KFC

7. Dimensions



FIRST ANGLE PROJECTION

UNIT : mm

Tolerance : ± 0.2

Ningbo Kepo Electronics Co.,Ltd.

<http://www.chinaacoustic.com>

Ningbo Kepo Electronics Co.,Ltd.

<http://www.chinaacoustic.com>